

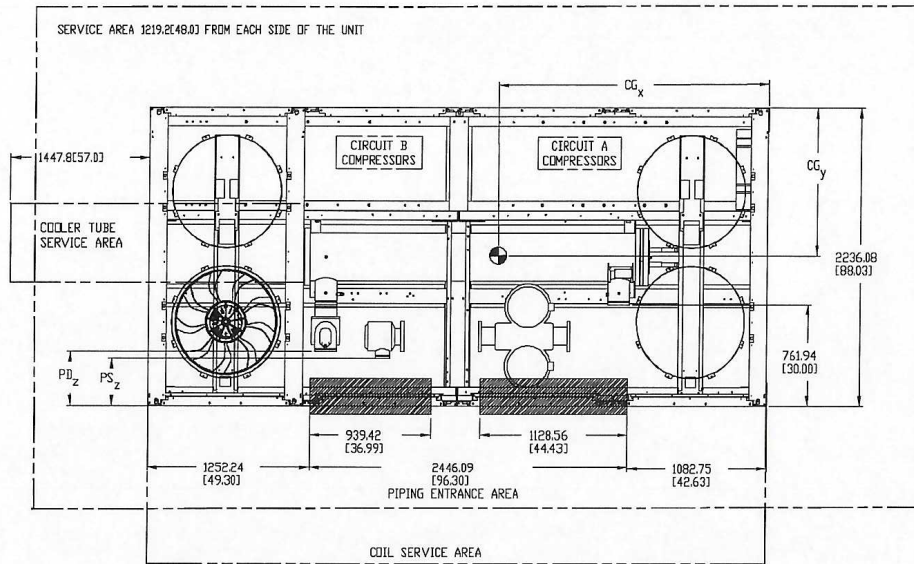
30RB120 with Greenspeed® Intelligence



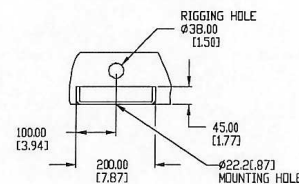
P.O. BOX 4808
SYRACUSE, NY
13221

THIS DOCUMENT IS THE PROPERTY OF CARRIER CORPORATION AND IS BELIEVED UPON THE EXPRESS CONDITION THAT THE CONTENTS WILL NOT BE DISCLOSED OR USED WITHOUT CARRIER CORPORATION'S WRITTEN CONSENT.

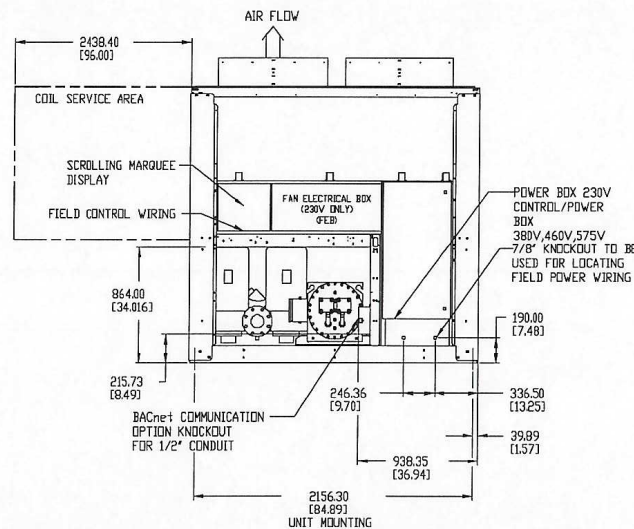
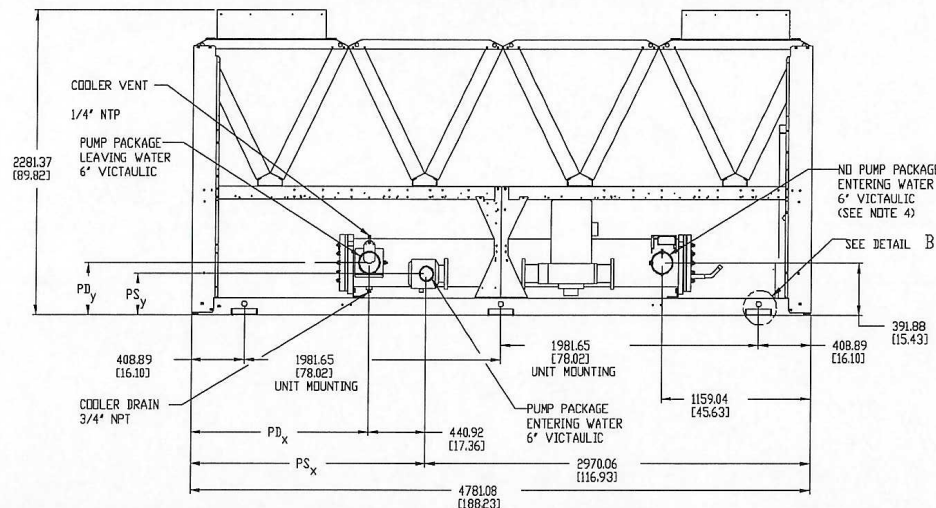
SUBMISSION OF THESE DRAWINGS OR DOCUMENTS DOES NOT CONSTITUTE PART PERFORMANCE OR ACCEPTANCE OF CONTRACT.



- NOTES: 1. UNIT MUST HAVE CLEARANCES AS FOLLOWS:
 TOP- DO NOT RESTRICT
 SIDES AND END- 6" FROM SOLID SURFACE FOR AIRFLOW
 SIDE- 8" REQUIRED FOR COIL SERVICE AREA
 2. ALL PUMPS HAVE DRAINS LOCATED AT THE BOTTOM OF VOLUME FOR DRAINING
 3. TEMPERATURE RELIEF DEVICES LOCATED ON SUCTION LINE, LIQUID LINE AND FILTER DRIER OF EACH CIRCUIT AND HAVE 1/4" FLARE CONNECTION.
 4. NO PUMP PACKAGE LEAVING WATER CONNECTION IS SAME SIZE AND HAS SAME Y AND Z DIMENSIONS AS ENTERING WATER. ALSO HAS SAME PDx DIMENSION AS PUMP PACKAGE.



DETAIL B
SCALE 3/16



30RB-120	WEIGHT CU/AL lb/kg	MAX WEIGHT CU/AL PUMP lb/kg	WEIGHT CU/AL PUMP lb/kg	MAX WEIGHT CU/AL PUMP lb/kg	WEIGHT MOTOR PUMP lb/kg	MAX WEIGHT MOTOR PUMP lb/kg	CENTER OF GRAVITY			PUMP SUCTION (PS)			PUMP DISCHARGE (PD)		
							CGx MM (INCH)	CGy MM (INCH)	CGz MM (INCH)	X ±.25	Y ±.25	Z ±.25	X ±.25	Y ±.25	Z ±.25
	7690 3488	8613 3907	9534 3871	9457 4290	7119 3229	8042 3648	2346 [92.36]	993 [39.09]	1808.5 [71.2]	2819 [111]	60.9 [2.4]	1366.5 [53.8]	391.2 [15.4]	233.7 [9.2]	

DATE	SUPERCEDS	30RB-120 AIR COOLED CHILLER	00DCN500000500A	REV G.4
06/10/10	04/20/10			